

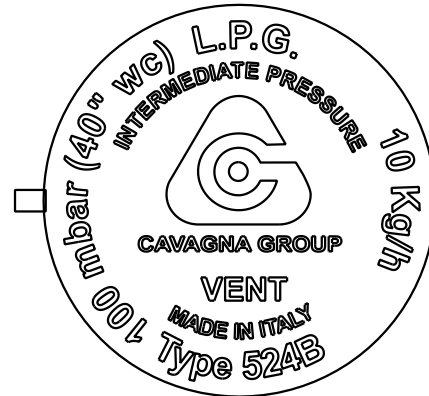
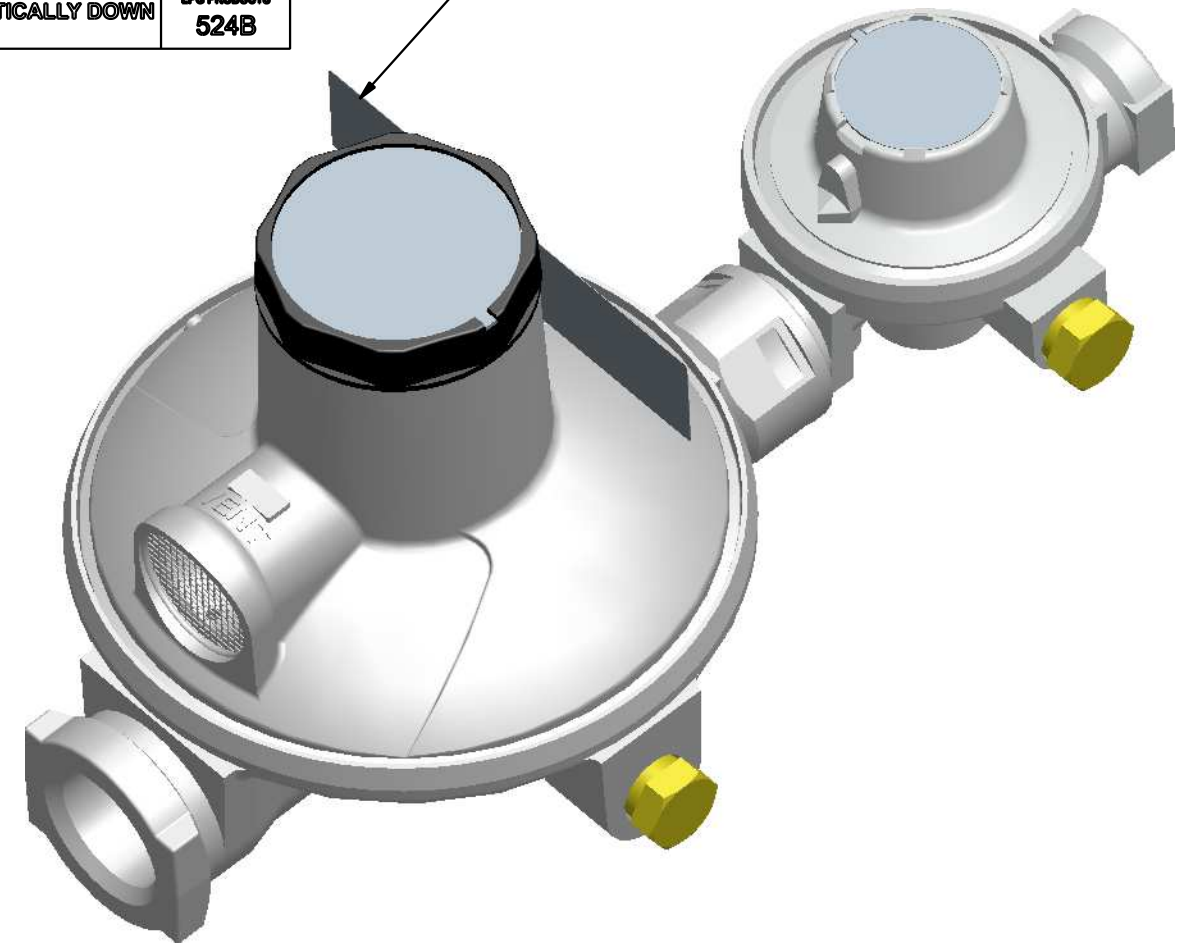
OIL SHELL R2



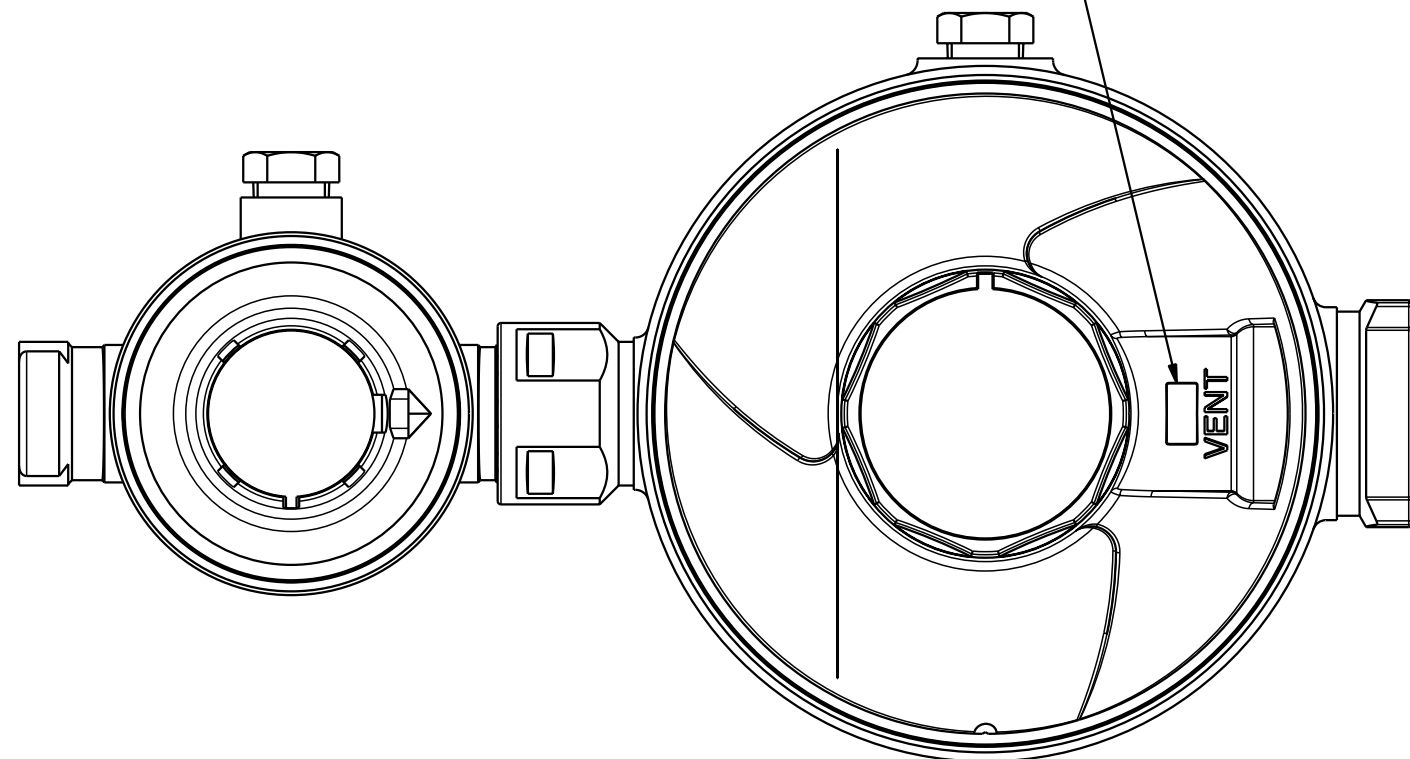
**FOR OUTDOOR USE REGULATOR
TO BE INSTALLED UNDER
PROTECTIVE COVER OR WITH
VENT OPENING VERTICALLY DOWN**



NAMEPLATE



TO STAMP THE PROGRESSIVE NUMBER
OF WEEK AND YEAR



NO	NO PRODUCT	DENOMINATION	Q.TY
1	73-1-950-0043	S/A SECOND STAGE REGULATOR	1
2	16-4-950-0037	S/I CORPO LIMITATORE E DI TENUTA-TWIN	1
3	04-1-110-0521	ANELLO TOROIDALE	1
4	91-1-950-0022	S/I REGOLATORE A.P. USA	1
5	34-1-310-0200	ADHESIVE NAMEPLATE FOR TYPE 524B	1
6	34-1-110-0979	INSTRUCTION FOR TYPE 524B	1
7	23-1-210-0064	STANDARD SINGLE BOX	1
8	23-1-510-0008	STANDARD BOX (R37)	1

	DENOMINATION						
	DOUBLE STAGE LOW PRESSURE REGULATOR TYPE 524B LPG 100 mbar 10 kg/h						
RECA	MODEL	ORIFICE	INLET		OUTLET	SHARED	PROD. INT. GROUP
	524	N.A.	1/4" NPT FEMALE		1/2" NPT FEMALE	N.A.	-
PERFORMANCE DOC.	COUNTRY	COUNTRY SPECIFIC	WEIGHT	SCALE	MODIFY FILE	PRODUCT NO	
623	ISRAELE	N.A.	-	1:1	N.A.	52-1-490-0046	
PROD. EVOLUTION	PROJECT NO	RELEASE LEVEL	DRAWN BY	VERIFIED BY	APPROVED BY	DATE	REV
DEFINITIVE	DS05039	APPROVED+	PEDRINI M.	TOMASELLI L.	SCHLICK B.	17/07/14	0